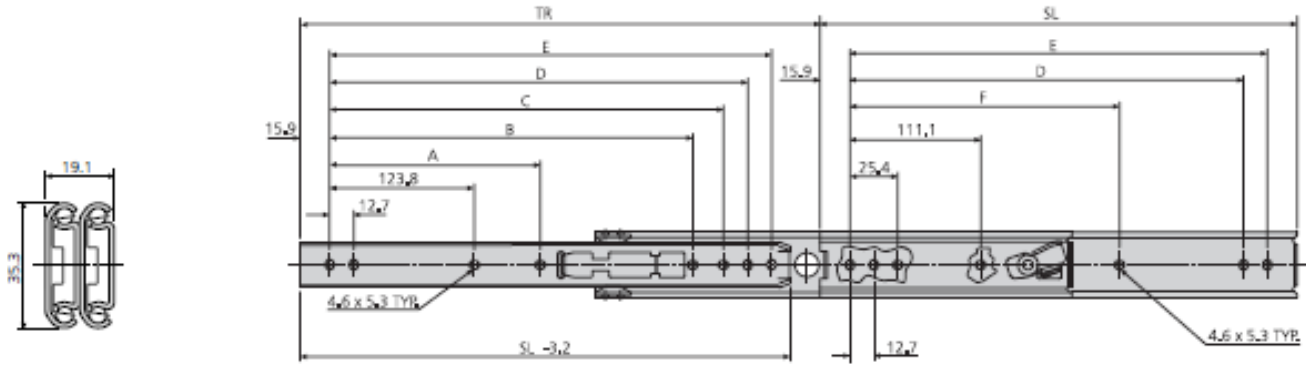


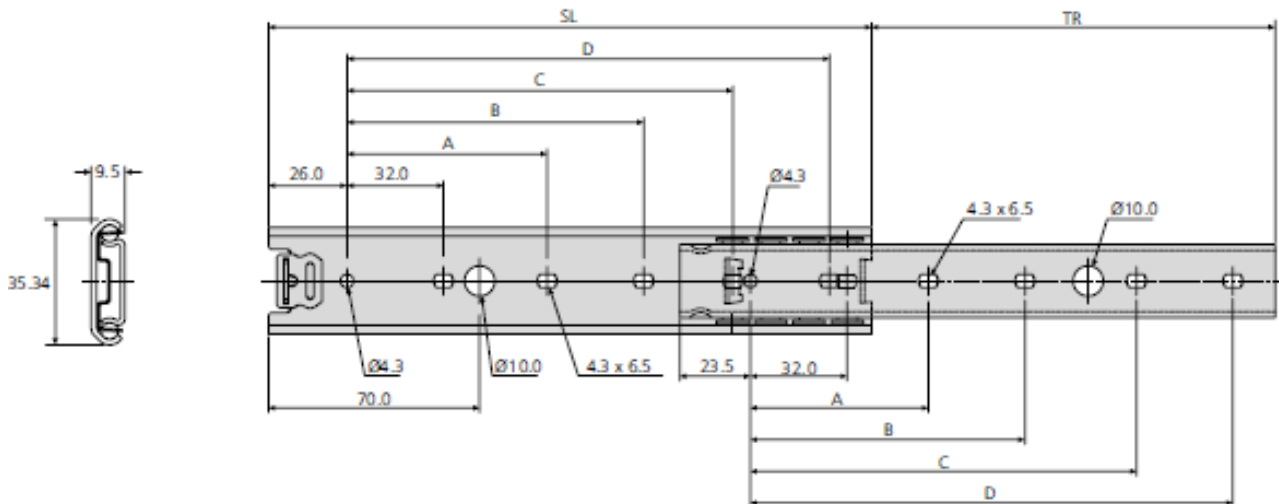
## GLISSIERES A BILLES

TYPE 0305 – Course 100% - Charge 70Kg



0305	mm								kg	
	SL	TR	A	B	C	D	E	F	W	L
DZ0305-0012	305	327.0	-	-	-	260.3	273.0	-	1.27	70
DZ0305-0014	356	378.0	-	-	298.4	311.1	323.8	-	1.46	68
DZ0305-0016	406	429.0	-	-	349.2	361.9	374.6	250.8	1.63	65
DZ0305-0018	457	479.5	212.7	-	400.0	412.7	425.4	301.6	1.88	62
DZ0305-0020	508	530.5	238.1	365.2	450.8	463.5	476.2	352.4	2.04	57
DZ0305-0022	559	581.0	263.5	415.9	501.6	514.3	527.0	403.2	2.29	52
DZ0305-0024	610	632.0	288.9	466.7	552.4	565.1	577.8	454.0	2.50	46
DZ0305-0026	660	683.0	314.3	517.7	603.2	615.9	628.6	504.8	2.67	41
DZ0305-0028	711	733.5	339.7	568.3	654.0	666.7	679.4	555.6	2.89	36

TYPE DS2028 – Course 75% - Charge 60/65Kg



DS2028	mm						kg		
	SL	TR	A	B	C	D	W	L 10,000	L 80,000
DS2028-0030	300	209	96	128	224	256	0.54	65	60
DS2028-0035	350	245	96	128	256	288	0.64	63	57
DS2028-0040	400	282	160	192	320	352	0.74	59	54
DS2028-0045	450	320	160	192	384	416	0.83	57	50
DS2028-0050	500	357	192	224	416	448	0.92	53	47
DS2028-0055	550	394	192	224	480	512	1.02	50	45
DS2028-0060	600	432	224	256	512	544	1.12	46	43
DS2028-0065	650	469	224	256	576	608	1.21	43	41
DS2028-0070	700	506	256	288	608	640	1.30	42	40