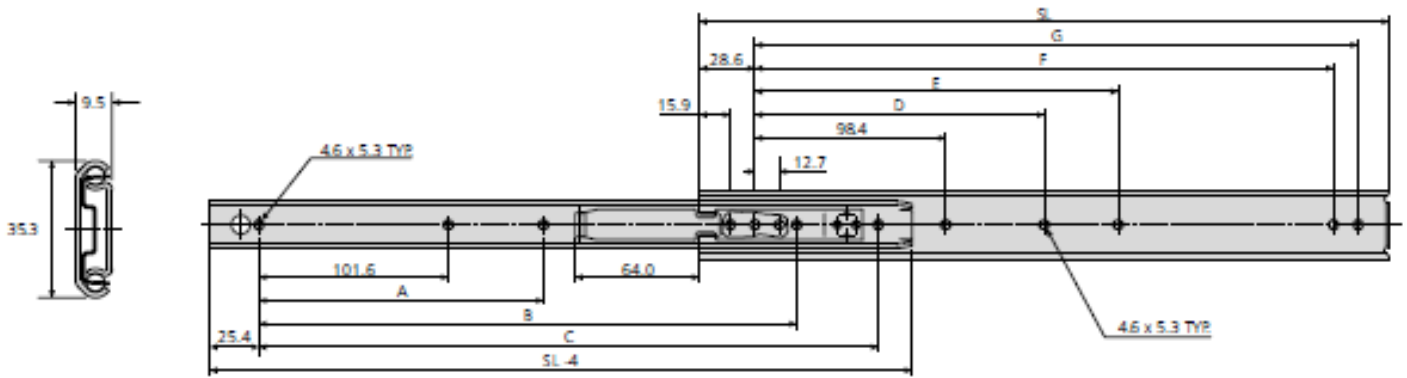


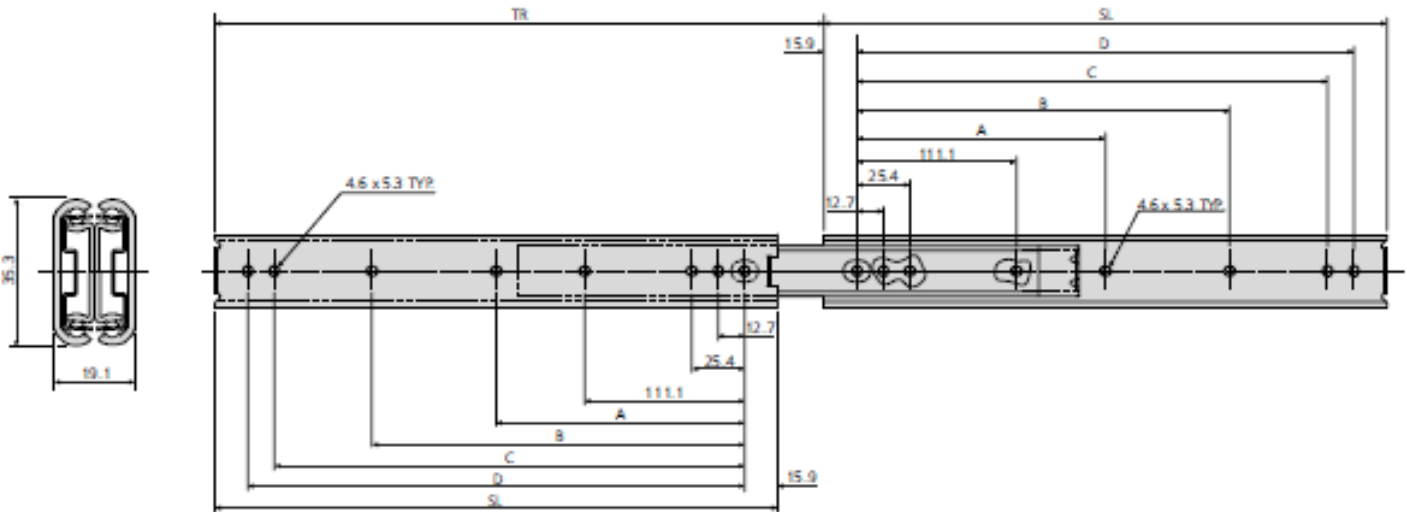
# GLISSIERES A BILLES

## TYPE 0204 – Course 75% - Charge 65Kg



0204	mm									kg	
	SL	TR	A	B	C	D	E	F	G	W	L
DZ0204-0012	305	201.5	-	215.9	254.0	-	136.5	247.6	260.3	0.63	65
DZ0204-0014	356	252.5	-	266.7	304.8	-	187.3	298.4	311.1	0.73	65
DZ0204-0016	406	303.0	-	317.5	355.6	-	238.1	349.2	361.9	0.84	60
DZ0204-0018	457	329.0	203.2	342.9	406.4	200.0	288.9	400.0	412.7	0.93	55
DZ0204-0020	508	379.5	228.6	393.7	457.2	225.4	339.7	450.8	463.5	1.04	50
DZ0204-0022	559	405.0	254.0	419.1	508.0	250.8	390.5	501.6	514.3	1.14	40
DZ0204-0024	610	430.5	279.4	444.5	558.8	276.2	441.3	552.4	565.1	1.26	35
DZ0204-0026	660	481.5	304.8	495.3	609.6	301.6	492.1	603.2	615.9	1.35	30
DZ0204-0028	711	506.5	330.2	520.7	660.4	327.0	542.9	654.0	666.7	1.48	30

## TYPE 0301 – Course 100% - Charge 70Kg



0301	mm						kg	
	SL	TR	A	B	C	D	W	L
DZ0301-0012	305	327	-	149.2	260.3	273.0	1.38	70
DZ0301-0014	356	378	-	200.0	311.1	323.8	1.63	67
DZ0301-0016	406	429	-	250.8	361.9	374.6	1.87	65
DZ0301-0018	457	480	212.7	301.6	412.7	425.4	2.10	63
DZ0301-0020	508	530	238.1	352.4	463.5	476.2	2.35	60
DZ0301-0022	559	581	263.5	403.2	514.3	527.0	2.60	55
DZ0301-0024	610	632	288.9	454.0	565.1	577.8	2.77	50
DZ0301-0026	660	683	314.3	504.8	615.9	628.6	2.55	45
DZ0301-0028	711	734	339.7	555.6	666.7	679.4	3.22	40