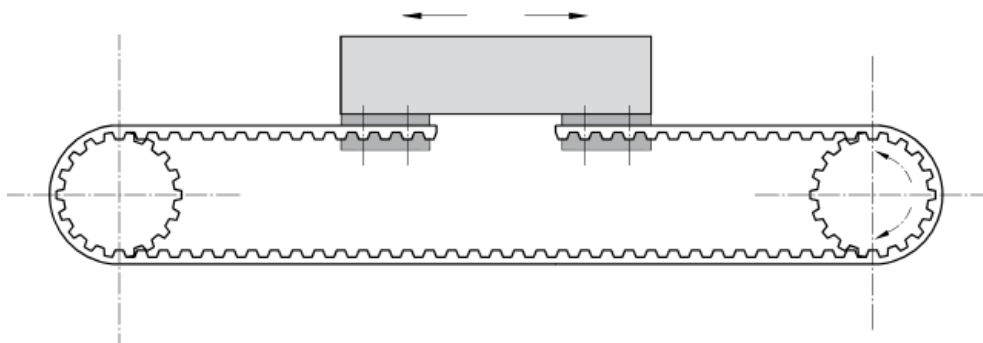


# COURROIES OUVERTES



Pas	Largeurs (mm)	Rouleau (m)	Liens Acier				Liens Aramide				INOX
			S	NB	NT	NTB	S	NB	NT	NTB	NIRO
T5	10, 16, 25, 32, 50, 75, 100	100	X	X	X	X	X	X	X	X	
T10	12, 16, 25, 32, 40, 50, 75, 100, 150	100	X	X	X	X	X	X	X	X	
T10HB	12, 16, 25, 32, 40, 50, 75, 100, 150	100	X		X		X		X		
T10HF	12, 16, 25, 32, 40, 50, 75, 100, 150	100	X	X	X	X					
T20	25, 32, 50, 75, 100, 150	50	X	X	X	X	X				
AT 5	10, 16, 25, 32, 50, 75, 100	100	X	X	X	X	X		X		
AT10	16, 25, 32, 50, 75, 100, 150	100	X	X	X	X	X	X	X	X	X
AT10HB	16, 25, 32, 50, 75, 100, 150	100	X	X	X	X					
AT20	25, 32, 50, 75, 100, 150	50	X	X	X	X					
ATL5	10, 16, 25, 32, 50	100	X	X	X	X					
ATL10	16, 25, 32, 50, 75, 100, 150	100	X	X	X	X					
ATL10HF	16, 25, 32, 50, 75, 100, 150	100	X	X	X	X					
ATL20	32, 50, 75, 100, 150	50	X	X	X	X					
HTD5M	10, 15, 20, 25, 50, 85, 100, 150	100	X	X	X	X	X	X	X	X	
HTD8M	10, 15, 20, 25, 30, 50, 85, 100, 150	100	X	X	X	X	X	X	X	X	X
HTD14M	25, 40, 55, 85, 115, 170	50	X		X	X					
HTDL14M	55, 85, 115, 170	50	X		X	X					
HPL14M	55, 85, 115, 170	50			X	X					
STD5M	5, 10, 15, 20, 25, 30, 50	100	X	X	X	X					
STD8M	10, 15, 20, 25, 30, 50, 85, 100	100	X	X	X	X					
XL	025, 031, 037, 050, 075, 100, 200	61	X	X	X	X	X	X	X	X	
L	037, 050, 075, 100, 150, 200, 400	61	X	X	X	X	X	X	X	X	
H	050, 075, 100, 150, 200, 300, 400, 600	61	X	X	X	X	X	X	X	X	
XH	100, 150, 200, 300, 400, 600	61	X	X	X	X					
F8	100, 150, 200, 300, 400	61	X	X	X	X					
F12	100, 150, 200, 300, 400	61	X	X	X	X					

Abréviations :	
S	Standard
NB	Dos revêtu de nylon
NT	Dents revêtues de nylon
NTB	Dents et dos revêtus de nylon
NIRO	Acier inoxydable
HB	Dos épais en polyuréthane
HF	Cordes en acier de haute flexibilité
TL	Profil avec des cordes en acier renforcé

